



The Village Quilter

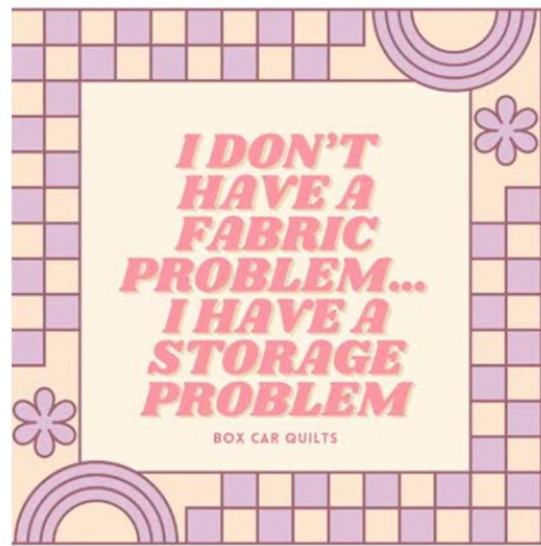
February 2025 Issue

Fallbrook Quilt Guild – Founded 1987
<https://fallbrookquiltguild.com/>
Facebook: Fallbrook Quilt Guild

PO Box 1704, Fallbrook, CA 92088

Table of Contents

Celebrating February Birthdays	1
Message from the President.....	2
Message from 1st VP.....	3
Challenge News & Game for Feb.....	4
Quilt Show Update.....	5
Country Store Donations.....	6
Year at-a-Glance	7
For Sale	8
Upcoming Events	11



Thank you Kathy!
Attribution: Box Car Quilts



February Birthdays

- 3 – Pat Roybal
- 3 – Jessie Lee
- 10 – Kim Watson
- 10 – Sharon Walters
- 12 – Sheryl Kaplan
- 13 – Irene Althaus
- 16 – Barbara Vajda
- 18 – Barbara Erickson
- 24 – Sharon Boehm
- 28 – Sarah Sandor

Message from the President

I can't say thank you enough to our firefighters! We sure dodged a bullet in the early morning of January 20th! Three fires surrounding Fallbrook were scary to say the least. To date, I've only heard of two structures "damaged." I know several of our members were evacuated and we can count our blessings, none of them had any damage.

We are still looking for someone to take over as Newsletter Editor. Cindy's plate will be very full soon with responsibilities co-chairing the 2025 Quilt Show. Microsoft Word is your only prerequisite. There are several of us that can help you get started. Please let Cindy or me know if you can fill this role.

I'm still looking for a volunteer to chair our efforts at the San Diego County Fair. Those that participated last year had a lot of fun and our members brought home a total of 11 ribbons! The theme this year is **Summer Pet-tacular!** What a fun theme if you want to enter in the quilt theme category. Please let me know if you can help organize quilt collection, a demo day (or two) at the fair and the picking up of quilts at the conclusion of the fair.

I will miss the February 6th general meeting. I paid for a retreat (Atlanta GA 2/5-11/2025) long before I became your President. You will be in good hands with your 1st VP, Penny Bottomly, at the helm leading with what I'm sure will be a fun meeting.

May your bobbins always be full!

Becky Forbes

FQG President



Message from the 1st VP

Well, it is a new year and I am off to a good start... in a few areas of life ... and a poor start in other areas. Finishing projects is at the forefront of my endeavors but I am just not using those dreaded words... "new year resolutions" for fear of failure.

Last week my friend Jona and I attended the Yuma quilt show and it was great. Only a 3-hour drive from my home and a nice stay at the Marine Corp base there gave us a nice get away. Next year we plan on going to the Tuscon show and stopping in Yuma for their show on the way home.

Upcoming programs

February we will have Kristie Naranjo sharing the Shannon Brinkley technique of Scrappy Applique. The workshop will be on February 15, the third Saturday of the month.



March will be "Fun little projects" presented by some of our members. Items will be demonstrated and directions handed out so you can make them on your own or at one of our open workshops coming soon. If you have a favorite simple item that you can demo/share at that meeting please give me a call and we can work out the details.

Upcoming quilt show in Hemet is on February 7 & 8 and it is always a great show... plus our opportunity quilt will be there AND in case you need a break during the show, Temre could use a few great gals to SIT and sell tickets for a spell; give her a call!

Penny Bottomly

1st Vice President 714-325-0084

CHALLENGE NEWS plus

A GAME FOR FEBRUARY

How is your challenge entry coming along? Adding the embellishments is quite a challenge, isn't it? Don't let it slow you down, I know you have a great idea lurking in there somewhere! A great quilter recently told me that your first idea is rarely your best. She suggested making a list of TWENTY (yes, 20!) possibilities. Mull those over before making a final decision.

Let's add one more **zinger**, the last before the June reveal. As of now you have the challenge fabric and a little bag of goodies. For the rest of your time, I want you to think about incorporating a few words from the inspirational song and placing them somewhere, anywhere on the front of your quilt. They can be printed, embroidered, transferred, or whatever you choose. See me if you need suggestions.

As for the monthly game, all I want to say is it relates to the month, and bring a pencil. Yes, I have a few small prizes for the best players.

See you soon,

Ann Turley

Quilt- Related Programs and Workshops

Quilt Show Update

We are nine months away from the November 7-8, 2025 Quilt Show and there is so much to do! Several members have already taken on key roles, but we still need someone to chair the areas listed below. Please reach out if you are willing to help.

Advertising and Signage

Demonstrations/White Glove

Photography

Quilt Collection

Set-up/Take-Down

Supplies and Clean-Up

Vendor Coordination

Bookmarks have been printed and some have already been distributed. If you are planning to visit another guild, quilt show or other quilt-related venue, please text Cindy Stephen for bookmarks to take along 714-801-2614.

Mara Woods is collecting items for the Country Store and Betsy Shirkey is collecting quilts for the auction. In addition to completed quilts, the auction often receives quilt tops, so batting, backing and binding donations are appreciated.

Cindy Stephen and Kathy Proctor

Quilt Show Co-Chairs

Quilt Show County Store Donations

Hello Quilting Friends!

It's that time of year to start your spring cleaning! Get in the mood by looking at all the things you have stuffed into your sewing area, which undoubtedly contains items that no longer thrill you. These items will likely thrill somebody else if you are kind enough to donate them to "The Country Store" for the November Quilt Show.

Decluttering means you will uncover things that you had been looking everywhere for and items that you'd completely forgotten about. Your efforts will leave open spaces for new purchases... hopefully from The Country Store. We've had some wonderful items in the past!

These are the items we'd be happy to accept:

- Cotton yardage, fat quarters, minky, flannel, wool, silk
- Sewing tools, rulers, templates, stencils, patterns, gadgets
- Bags of partially completed projects (UFOs)
- Sewing or embroidery machines, if in good working condition
- Sewing machine totes
- Small sewing-related furniture and storage containers
- Hand or machine embroidered items, even on clothing
- Quilt racks and quilt hanging hardware
- Button sets
- Quilting hoops
- Thread
- Kits
- Vintage or not-so-vintage quilts, tablecloths, or linens in decent condition
- Interesting textiles or 3-dimensional objects that defy description!

These are the items that we're not going to be selling:

- Upholstery or drapery fabric, synthetics, knits
- Books and magazines
- Large furniture
- Textiles in poor condition

I'd be happy to pick up bags and boxes if you'd rather not lug them to Guild. Also, if you have an item that you're not sure about, text me. My number is 760/453-8708. Please leave me a message if I don't answer.

Thank you!

Mara Woods

Country Store Chair – 2025 Quilt Show

Year At a Glance

Fallbrook Quilt Guild
YEAR AT A GLANCE

Year	Month	General Meeting (1st Thursday @ Community Center)			Workshop (Saturday Following General Meeting @ FPUD)			Executive Board Meeting (2nd Wednesday @ FRHD)		
		Date	Time	What	Date	Time	What	Date	Time	What
2024	July	11-Jul	1pm	Event Honoring Veterans @ FRHD	13-Jul		No workshop this July	9-Jul	1pm	Meeting
	August	1-Aug	6pm	Tina Curran	3-Aug	9am	Tina Curran, Herringbone-Anza	7-Aug	1pm	Meeting
	September	5-Sep	6pm	Bag Lady Skit & Penny to talk on- Canine Companions	7-Sep	9am	Temre Marciano, Poppins Bag	11-Sep	1pm	Meeting
	October	3-Oct	1pm	Karen Brow-Meyer	5-Oct	9am	Karen Brow-Meyer, Fancy Feathers & Frogs	9-Oct	1pm	Meeting
	November	7-Nov	1pm	Linda Sullivan, Cotourwerx	9-Nov	9am	Linda Sullivan, Machine Applique- Shannon Brinkley's method	13-Nov	1pm	Meeting
	December	5-Dec	1pm	Potluck	---		No workshop in December	---		No board meeting in December
2025	January	DARK		No general meeting in January	4-Jan	9am	Quilts of Love	15-Jan	1pm	Meeting
	February	6-Feb	1pm	Kristie Naranjo	8-Feb	9am	Kristie Naranjo, Scrappy Applique	12-Feb	1pm	Meeting
	March	6-Mar	1pm	Tips & Tricks	1-Mar	9am	Design & Construct	12-Mar	1pm	Meeting
	April	3-Apr	6pm	Ann Turley	5-Apr	9am	TBD?	9-Apr	1pm	Meeting
	May	1-May	6pm	Election, Shelley Swanland	3-May	9am	Shelley Swanland, Plant Prints on Fabrics	7-May	1pm	Meeting
	June	5-Jun	6pm	Potluck, Installation, Opportunity Quilt Drawing	7-Jun	9am	Turnover meeting	11-Jun	1pm	Meeting

For Sale

Downsizing Sale

Dear quilting friends,

Some of you already know that I've encountered recent health issues that require me to simplify my life by downsizing, including other issues that require me to avoid stairs and minimize lifting. Although I will continue my longarm quilting business, I will be selling many books, fabrics, and completed quilts. Additionally, I have several quilt racks and some antique furniture to sell.

The initial sale will take place in my home, followed by an online auction to ensure that completed quilts receive the highest value.

Sale Information:

Date: February 21, 2025

Time: 10:00 AM to 3:00 PM

Location: 4650 Dulin Rd. Space 97, Fallbrook, CA

Payment Methods Accepted: Cash, check, PayPal, Venmo

Sandy Scott

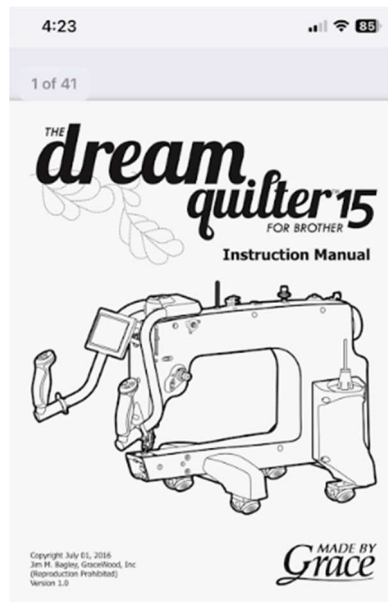
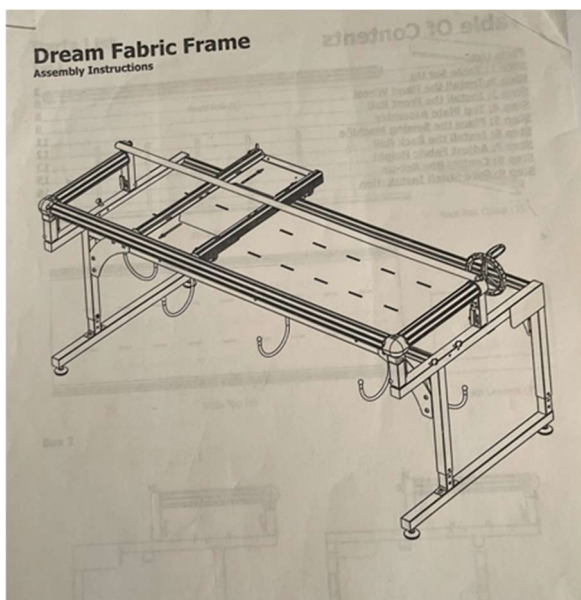
Long Arm For Sale

I purchased a floor model longarm at Road to California in 2020. It has never been used, nor has it been setup.

Make/Model: Brother Dream Quilter 15

Asking Price: \$5,000 – will consider offers.

Contact: Chris Brewer email - brewerc@prodigy.net





Upcoming Events

Sunshine Quilters Sue Bouchard Workshop

March 11, 2025 Lecture:

Renette Center, 935 Emerald Avenue, El Cajon. 7:00 – 9:00 PM. Doors open at 6:30 PM. Guest fee \$5.00.

Speaker - Sue Bouchard has been sewing since she was four and quilting since she was twelve. She loves to design and make modern quilts which are influenced by traditional designs. Her passion is teaching and inspiring others. Sue has taught at many Quilt Guilds, International Festivals and Craftours throughout the world. She'll share with you her journey and insights discovered by finding solace in her sewing room. Explore ways to combine styles, techniques and colors to create your own one-of-a-kind quilts. Special emphasis is the use of directional fabrics for effective design elements. Over 35 samples will inspire you!

March 15, 2025: Workshop: "Moon Dance" by Sue Bouchard

Combining Triangle in a Square patches with Pieced Triangle Squares gives the illusion of curves without any curved piecing. The Stars are brought together with Quarter Square patches. Your patchwork will dance across the Background!

Workshop Fee: \$40.00

Kits (Required – payable to Sue) - \$60 includes all fabrics, pattern and templates to complete the quilt top including the Binding. 32" x 42"

Lakefront Mobile Home Park – 9395 Harritt Road, Lakeside, CA

Class time 9:00 – 3:00 PM. You may arrive at 8:30 to get set up.

Contact Kathy Barnes - 619-916-9760 to register for the class.

